

POWER COMBINER

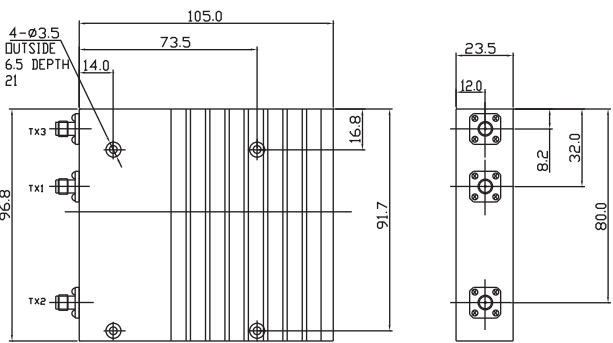
- High Power Handling
- High Isolation, Low Insertion Loss
- Available for 2 to 1, 4 to 1
- Wireless Applications
- Wide Operation Temperature Range
- Custom Design Available Upon Request



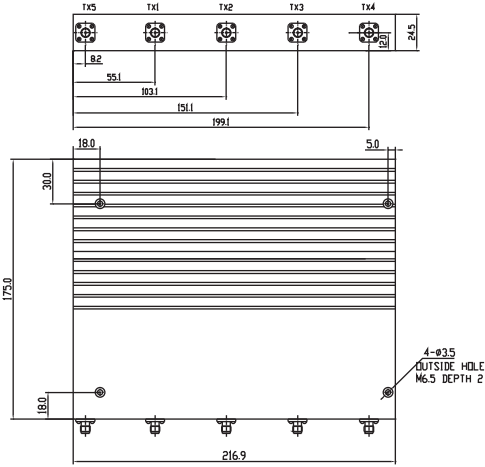
POWER COMBINER

FREQUENCY (GHz)		MODEL	PORTS	ISOLATION	INS LOSS	REV LOSS	POWER	AMPLITUDE	SIZE L*W*H	CONNECTOR	PACKAGE
F1	F2	NUMBER		(dB) MIN	(dB) MAX	(dB)	(W)	UNEQUILIBRIUM	(mm)	TYPE	CODE
0.869	0.894	HPC2-0869T0894N10	2 TO 1	50	3.55	-22	2*100	±0.15dB	96.8*105*23.5	N-F	PC01
0.869	0.894	HPC2-0869T0894S10	2 TO 1	50	3.55	-22	2*100	±0.15dB	96.8*105*23.5	SMA-F	PC01
0.925	0.950	HPC2-0925T0950N10	2 TO 1	50	3.60	-22	2*100	±0.15dB	96.8*105*23.5	N-F	PC01
0.925	0.950	HPC2-0925T0950S10	2 TO 1	50	3.60	-22	2*100	±0.15dB	96.8*105*23.5	SMA-F	PC01
0.935	0.960	HPC2-0935T0960N5	2 TO 1	50	3.55	-22	2*50	±0.15dB	96.8*105*23.5	N-F	PC01
0.935	0.960	HPC2-0935T0960S5	2 TO 1	50	3.55	-22	2*50	±0.15dB	96.8*105*23.5	SMA-F	PC01
0.935	0.960	HPC2-0935T0960N10	2 TO 1	50	3.55	-22	2*100	±0.15dB	96.8*105*23.5	N-F	PC01
0.935	0.960	HPC2-0935T0960S10	2 TO 1	50	3.55	-22	2*100	±0.15dB	96.8*105*23.5	SMA-F	PC01
0.935	0.960	HPC4-0935T0960N10	4 TO 1	50	6.80	-22	4*100	±0.15dB	216.9*175*24.5	N-F	PC02
0.935	0.960	HPC4-0935T0960S10	4 TO 1	50	6.80	-22	4*100	±0.15dB	216.9*175*24.5	SMA-F	PC02
1.420	1.520	HPC2-1420T1520N2	2 TO 1	20	0.40	-19	2*20	±0.15dB	32*48*15	N-F	PC03
1.420	1.520	HPC2-1420T1520S2	2 TO 1	20	0.40	-19	2*20	±0.15dB	32*48*15	SMA-F	PC03
1.805	1.880	HPC2-1805T1880N5	2 TO 1	50	3.65	-22	2*50	±0.15dB	96.8*105*23.5	N-F	PC01
1.805	1.880	HPC2-1805T1880S5	2 TO 1	50	3.65	-22	2*50	±0.15dB	96.8*105*23.5	SMA-F	PC01
1.805	1.880	HPC2-1805T1880N10	2 TO 1	50	3.70	-22	2*100	±0.15dB	96.8*105*23.5	N-F	PC01
1.805	1.880	HPC2-1805T1880S10	2 TO 1	50	3.70	-22	2*100	±0.15dB	96.8*105*23.5	SMA-F	PC01
1.900	1.920	HPC2-1900T1920N3	2 TO 1	50	3.55	-22	2*30	±0.15dB	80*61*20	N-F	PC04
1.900	1.920	HPC2-1900T1920S3	2 TO 1	50	3.55	-22	2*30	±0.15dB	80*61*20	SMA-F	PC04

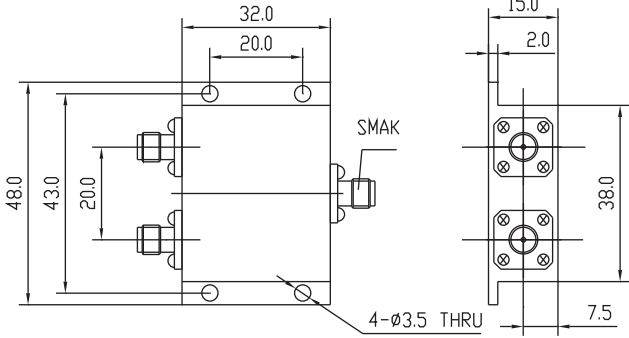
POWER COMBINER



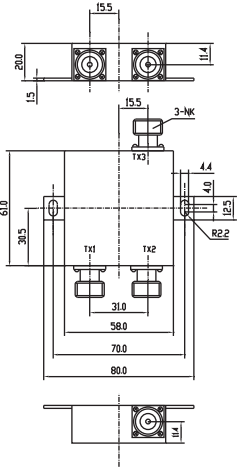
PC01-POWER COMBINER



PC02-POWER COMBINER



PC03-POWER COMBINER



PC04-POWER COMBINER

