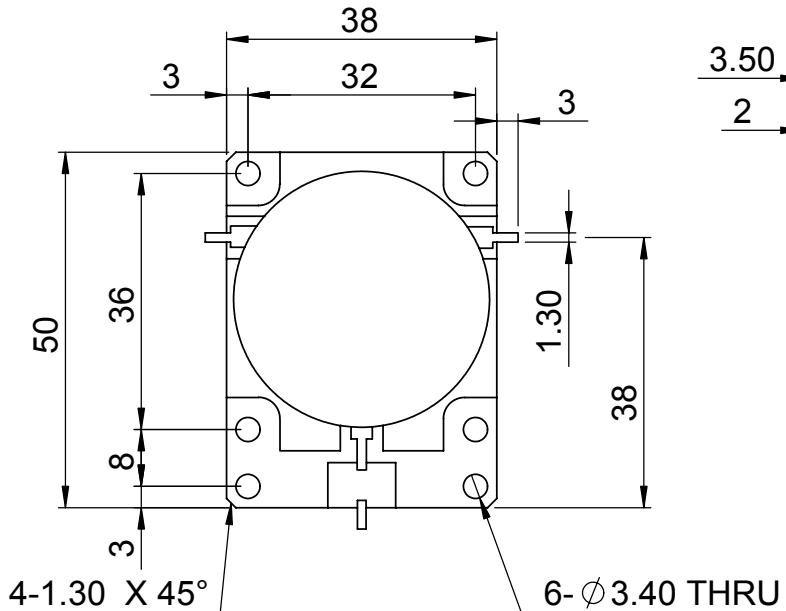
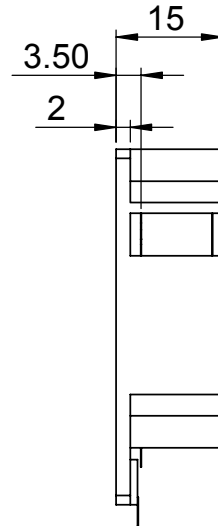
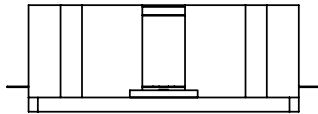
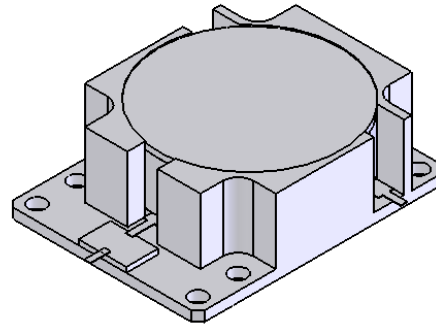


Stock Number

REV.	DESCRIPTION	REVISOR	DATE	APPROVE
0		MH	02.23.09	CH

SPECIFICATION

Part's Number: JID0380T0420KM6A2
 Frequency: 0.380~0.420 GHz
 Direction: CW
 Insertion Loss: 0.3dB MAX.
 Isolation: 20dB MIN.
 RL: 20dB MIN.
 Power FWD/REV: 100W/60W
 Temperature: -30 °C~+75 °C
 IMD: -70dBc@2x10W
 SPACING 5MHz
 Attenuation: 100W 20dB



This document is the property of JQL Electronic Inc.
 It cannot be copied, duplicated, used for manufacturing purposes
 or communicated to third party as a whole or partly,
 without the written consent of JQL Electronic Inc.

JQL JQL Electronic Inc		500 Lake Cook Road, Suite 350 Deerfield, IL 60015, USA		Tel : 1(888)236-9828 Fax: 1(630)823-2902	
MATERIAL: Stainless Steel		DWG NO. JID0380T0420KM6A2			
SURFACE TREATMENT: Nickel Plating		NAME MH		DATE 02.23.09	
DESCRIPTION: DROPP-IN W ATTN		CHK'D BY: FW		02.23.09	
		APPVD BY: CH		02.23.09	
Unit: mm		TOLERANCE: Liner: ±0.1mm Angular: ±0.5°		Type Of Projection 	
WEIGHT:		SCALE: 1:1		A4	
SHEET 1 OF 1					